

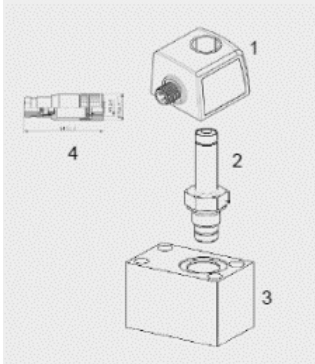


## Installation Instructions for Flangeable Maintenance Indicator Replacement Kit

As part of the maintenance indicator product rationalization program, some maintenance indicators have been discontinued. As an alternative, a replacement maintenance indicator kit is offered, that would allow for the fitment of the new version of maintenance indicators.

The replacement kit includes the following parts:

- 1x adaptor plate (3)
- 1x current standard visual optical pop-up indicator (2)
- 1x current standard electrical switching element (1) *only included in the event that an electrical indicator is being replaced*
- 1x optional M12x1 4-pole connector with screw connection (4)
- 4x fixing screws for the adaptor block (not shown in picture)



### **Replacement of the flanged maintenance indicator with above mentioned replacement kit**

#### **Disassembly of the old maintenance indicator:**

1. Take the corresponding system out of operation and ensure that the pressure is released over the filter assembly.
2. Loosen the electrical cable in the event that an electrical indicator is installed.
3. Loosen the mounting screws of the maintenance indicators
4. Remove the existing maintenance indicator from the filter assembly.

#### **Installation of the new maintenance indicator replacement kit:**

5. Mount the new adaptor plate (3) on the filter assembly using the supplied screws
  - Maximum tightening torque MA max = 4.4 Nm (3.25 lb-ft) +/- 10%
6. Install the new visual pop-up indicator (2) in the adaptor plate (3)
  - Maximum tightening torque MA max = 50 Nm (36.88 lb-ft)
7. Slide the electrical switching element over the visual indicator and secure with supplied circlip. The electrical switching element should be rotatable by 360°
8. Electrical switching element with rectangular connection as per EN175301-803 is also available as an option.
9. Connect the M12x1 4-pole connector (4) to the cable accordingly and screw the connector onto the electrical switching element.

An overview of our standard maintenance indicators can be found in data sheet RE51450