

# Block mounting filter, for lateral flange-mounting

**RE 51418**  
Edition: 2023-06  
Replaced: 2021-04

1/16

**Type 245PSFN0040 to 0400; 245PSF0130, 0150**

Size according to **DIN 24550**: 0040 to 0400  
Additional sizes: 0130, 0150  
Nominal pressure 250 bar [3626 psi]  
Connection up to DN 40  
Operating temperature  $-10\text{ °C}$  to  $100\text{ °C}$  [ $14\text{ °F}$  to  $212\text{ °F}$ ]



Filter\_82\_d

## Table of contents

Content	Page
Features	1
Ordering code	2
Standard types	3
Ordering code: Electronic switching element for maintenance indicator	4
Mating connectors according to IEC 60947-5-2	4
Filter design	5
Symbols	6
Function, section	7
Technical data	8, 9
Unit dimensions	10, 11
Maintenance indicator	12
Spare parts	13
Installation, commissioning and maintenance	14
Directives and standardization	15

## Features

- Special highly efficient filter media
- Adsorption of very fine particles across a broad pressure differential range
- High dirt holding capacity thanks to large specific filter area
- Good chemical resistance of the filter elements
- High collapse resistance of the filter elements (e.g. in case of cold start)
- Filter ratings of  $3\text{ }\mu\text{m}$  to  $100\text{ }\mu\text{m}$
- By default equipped with mechanical optical maintenance indicator with memory function
- Flow-optimized design due to 3D computer-supported design

## Ordering code

### Of the filter

245	PSF		—		00	V5,0	—	
-----	-----	--	---	--	----	------	---	--

#### Pressure

250 bar [3626 psi] = 245

**Block mounting filter,**  
for lateral flange-mounting

= PSF

#### Filter element

according to DIN 24550

= N

#### Size

PSFN...

= 0040 0063 0100  
0160 0250 0400

PSF...

= 0130 0150

#### Filter rating in $\mu\text{m}$

##### nominal

Stainless steel wire mesh, cleanable  
G10, G25, G40, G100

= G...

##### absolute (ISO 16889)

Micro glass, not cleanable  
PWR3, PWR6, PWR10, PWR20

= PWR..

#### Pressure differential

Max. permissible pressure differential of the filter element  
30 bar [435 psi], with bypass valve 7 bar [102 psi]

= A

330 bar [4786 psi], without bypass valve

= B

#### Element design

Standard adhesive T = 100 °C [212 °F]

= 0...

Standard material

= ...0

#### Complementary details

without = No additional details  
— M = size 0040 – 0150  
1 Minimes connection  
(on the dirt side)  
size 0160 – 0400  
2 Minimes connections

#### Seal

M = NBR seal  
V = FKM seal

#### Maintenance indicator

V5,0 = Maintenance indicator, optical specify  
switching pressure 5.0 bar [72.5 psi]

#### Order example:

245PSFN0063-PWR10B00-V5,0-M

Material no.: R928024393

Further versions (filter materials, ...) available at request

### Of the filter element

2.		—	—	—
----	--	---	---	---

#### Filter element

Design = 2.

#### Size

PSFN...

= 0040 0063 0100  
0160 0250 0400

PSF...

= 0130 0150

#### Filter rating in $\mu\text{m}$

##### nominal

Stainless steel wire mesh, cleanable  
G10, G25, G40, G100

= G...

##### Absolute (ISO 16889)

Micro glass, not cleanable  
PWR3, PWR6, PWR10, PWR20

= PWR..

#### Pressure differential

Max. permissible pressure differential of the filter element  
30 bar [435 psi]

= A

330 bar [4786 psi]

= B

#### Seal

M = NBR seal  
V = FKM seal

#### Bypass valve

0 = at filter element always 0

#### Element design

0... = Standard adhesive T = 100 °C [212 °F]  
...0 = Standard material

#### Order example:

2.0063 PWR3-B00-0-M0

Material no.: R928006708

## Standard types

### NBR seal, without bypass, flow specifications for $v = 30 \text{ mm}^2/\text{s}$

Block mounting filter 245 PSF(N), filter rating **3  $\mu\text{m}$**

Type	Flow in l/min [gpm] with $\Delta p = 1.5 \text{ bar}$ [21.8 psi] <sup>1)</sup>	Material no. Filter	Material no. Replacement element
245PSFN0040-PWR3B00-V5,0-M	28	R928024264	R928006654
245PSFN0063-PWR3B00-V5,0-M	50	R928024265	R928006708
245PSFN0100-PWR3B00-V5,0-M	68	R928024266	R928006762
245PSF0130-PWR3B00-V5,0-M	104	R928024267	R928022310
245PSF0150-PWR3B00-V5,0-M	130	R928024268	R928022319
245PSFN0160-PWR3B00-V5,0-M	150	R928024269	R928006816
245PSFN0250-PWR3B00-V5,0-M	250	R928024270	R928006870
245PSFN0400-PWR3B00-V5,0-M	305	R928024271	R928006924

Block mounting filter 245 PSF(N), filter rating **6  $\mu\text{m}$**

Type	Flow in l/min [gpm] with $\Delta p = 1.5 \text{ bar}$ [21.8 psi] <sup>1)</sup>	Material no. Filter	Material no. Replacement element
245PSFN0040-PWR6B00-V5,0-M	35	R928024328	R928006655
245PSFN0063-PWR6B00-V5,0-M	55	R928024329	R928006709
245PSFN0100-PWR6B00-V5,0-M	72	R928024330	R928006763
245PSF0130-PWR6B00-V5,0-M	135	R928024331	R928022311
245PSF0150-PWR6B00-V5,0-M	175	R928024332	R928022320
245PSFN0160-PWR6B00-V5,0-M	200	R928024333	R928006817
245PSFN0250-PWR6B00-V5,0-M	280	R928024334	R928006871
245PSFN0400-PWR6B00-V5,0-M	325	R928024335	R928006925

Block mounting filter 245 PSF(N), filter rating **10  $\mu\text{m}$**

Type	Flow in l/min [gpm] with $\Delta p = 1.5 \text{ bar}$ [21.8 psi] <sup>1)</sup>	Material no. Filter	Material no. Replacement element
245PSFN0040-PWR10B00-V5,0-M	50	R928024392	R928006656
245PSFN0063-PWR10B00-V5,0-M	70	R928024393	R928006710
245PSFN0100-PWR10B00-V5,0-M	75	R928024394	R928006764
245PSF0130-PWR10B00-V5,0-M	180	R928024395	R928022312
245PSF0150-PWR10B00-V5,0-M	220	R928024396	R928022321
245PSFN0160-PWR10B00-V5,0-M	260	R928024397	R928006818
245PSFN0250-PWR10B00-V5,0-M	310	R928024398	R928006872
245PSFN0400-PWR10B00-V5,0-M	350	R928024399	R928006926

<sup>1)</sup> Measured pressure differential across filter and measuring equipment according to ISO 3968. The measured pressure differential at the maintenance indicator is lower.

**Codification:** Electronic switching element for maintenance indicator

01	02	03	
WE	-	-	

**Maintenance indicator**

01	Electronic switching element	WE
----	------------------------------	----

**Type of signal**

02	1 switching point	1SP
	2 switching points, 3 LED	2SP
	2 switching points, 3 LED and signal suppression up to 30 °C [86 °F]	2SPSU

**Connector**

03	Round plug-in connection M12x1, 4-pole	M12x1
	Rectangular connector, 2-pole, design A according to EN-175301-803	EN175301-803

**Material numbers of the electronic switching elements**

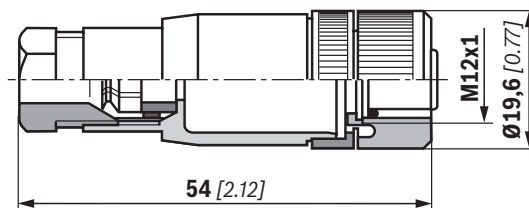
Material no.	Type	Signal	Switching points	Connector	LED
R928028409	WE-1SP-M12x1	Changeover	1	M12x1	Without
R928028410	WE-2SP-M12x1	Normally open (at 75%) / normally closed contact (at 100%)	2		3 pieces
R928028411	WE-2SPSU-M12x1				
R928036318	WE-1SP-EN175301-803	Normally closed contact	1	EN 175301-803	Without

**Mating connector (max. permissible voltage: 50 V)**

for electronic switching element with round plug-in connection M12x1

Mating connector suitable for K24 4-pole, M12x1 with screw connection, cable gland Pg9.

**Material no. R900031155**

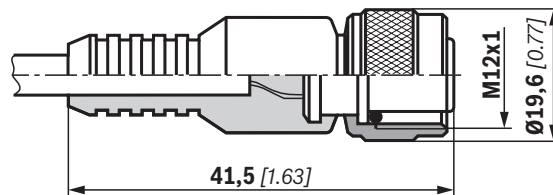


Mating connector suitable for K24-3m 4-pole, M12x1 with potted-in PVC cable, 3 m long.

Line cross-section: 4 x 0.34 mm<sup>2</sup>

Core marking: 1 brown      2 white  
3 blue                      4 black

**Material no. R900064381**

**Order example:**

Block mounting filter with mechanical optical maintenance indicator for  $p_{nom.} = 250 \text{ bar [3626 psi]}$  without bypass valve, size 0063, with filter element 10  $\mu\text{m}$  and electronic switching element M12x1 with 1 switching point for hydraulic fluid mineral oil HLP according to DIN 51524.

**Filter:** 245PSFN0063-PWR10B00-V5,0-M

**Material number:** R928024393

**Maintenance indicator:** WE-1SP-M12x1

**Material number:** R928028409

## Filter design

Easy selection of the filter size is made possible by the FilterSelect online tool. The filter can be designed using the operating pressure, flow and fluid system parameters. The required filter rating is based on the application, the sensitivity to contamination of the components and the environmental conditions.

The program leads you through the menu on a step-by-step basis.

A documentation of the filter selection can finally be created in the form of a PDF file. This file contains the entered parameters, the designed filter with material number including spare parts, and the pressure loss curves.

Link FilterSelect:

<http://www.filtersselect.de/>

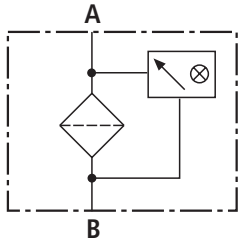
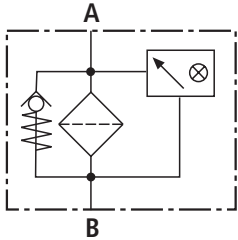
Other languages can be selected using the page navigation.

### standard search

<p><b>application:</b></p> <p><b>Product category:</b></p> <p><b>type:</b></p> <p><b>pressure range:</b></p> <p><b>filter material:</b></p> <p><b>fineness:</b></p> <p><b>volume flow rate:</b></p> <p><b>viscosity:</b> * = working point</p> <p><b>collapse pressure resistance according to ISO 2941:</b></p>	<div style="border: 1px solid black; padding: 2px;">         hydraulics for industrial use and applications with lubricating oil       </div> <div style="border: 1px solid black; padding: 2px;">         please select       </div> <div style="border: 1px solid black; padding: 2px;">         please select       </div> <div style="border: 1px solid black; padding: 2px;">         please select       </div> <div style="border: 1px solid black; padding: 2px;">         please select       </div> <div style="border: 1px solid black; padding: 2px;">         please select       </div> <div style="border: 1px solid black; padding: 2px;"> <input type="text"/> [l/min]       </div> <div style="border: 1px solid black; padding: 2px;"> <input checked="" type="radio"/> kin viscosity 1: <input type="text" value="32"/> [mm<sup>2</sup>/s]       </div> <div style="border: 1px solid black; padding: 2px;"> <input type="radio"/> search via type of medium       </div> <div style="border: 1px solid black; padding: 2px;">         please select       </div> <div style="border: 1px solid black; padding: 2px;">         please select       </div> <div style="border: 1px solid black; padding: 2px;">         temp 1: <input type="text"/> [°C] <input type="text"/> [°F] kin viscosity 1: <input type="text"/> [mm<sup>2</sup>/s]       </div> <div style="border: 1px solid black; padding: 2px;"> <input type="radio"/> dyn. Viscosity 1: <input type="text"/> [cP] density 1: <input type="text"/> [kg/dm<sup>3</sup>] kin viscosity 1: <input type="text"/> [mm<sup>2</sup>/s]       </div> <div style="border: 1px solid black; padding: 2px;"> <input type="text" value="30 bar"/> </div> <div style="background-color: #4a7c9c; color: white; padding: 5px; text-align: center; width: fit-content; margin: 0 auto;">       Start search     </div>
--	--

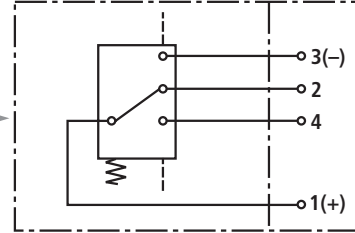
# Symbols

Block mounting filter



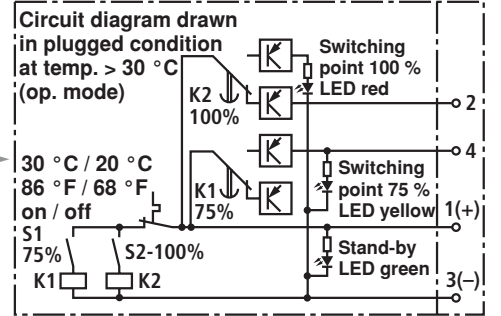
Electronic switching element for maintenance indicator

Switching element Plug-in connector



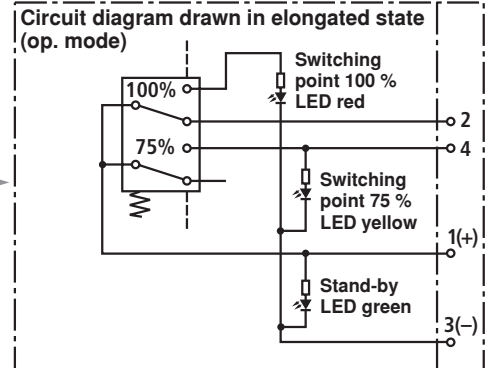
WE-1SP-M12x1

Switching element Plug-in connector



WE-2SPSU-M12x1

Switching element Plug-in connector



WE-2SP-M12x1

## Function, section

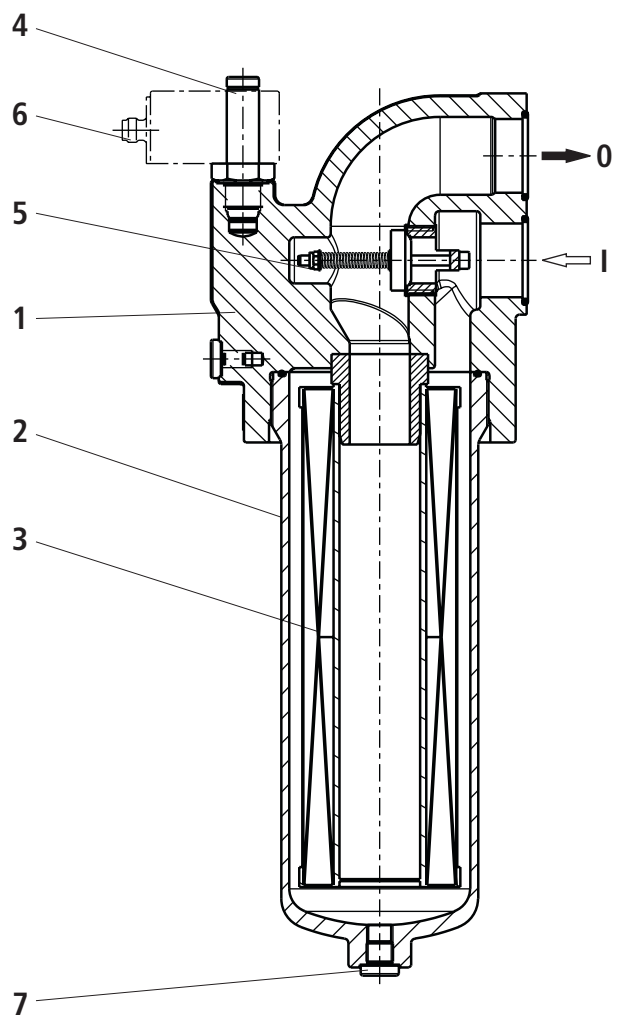
Block mounting filters are suitable for direct attachment to pump and control blocks. They are installed upstream open-loop or closed-loop control units to be protected.

They basically consist of filter head (1), a screwable filter bowl (2), filter element (3) as well as mechanical optical maintenance indicator (4). In case of filters with low-pressure-differential-stable filter elements (= code letter pressure differential A), there is also an assembled bypass valve (5).

Via port I, the hydraulic fluid reaches the filter element (3) where it is cleaned. The dirt particles filtered out settle in the filter bowl (2) and in the filter element (3). Via port O, the filtered hydraulic fluid enters the pump or control block and thus the hydraulic circuit.

The filter housing and all connection elements are designed so that pressure peaks – as they may e.g. occur in case of the abrupt opening of large control valves due to the accelerated fluid weight – can be securely absorbed. As of size 0160, the standard equipment comprises an oil drain plug (7).

Basically, the filter is equipped with mechanical optical maintenance indicator (4). The electronic maintenance indicator is connected via the electronic switching element with 1 or 2 switching points (6), which has to be ordered separately. The electronic switching element is attached to the mechanical optical maintenance indicator and held by means of a locking ring.



**Technical data** (For applications outside these parameters, please consult us!)**general**

Installation position	Lateral				
Ambient temperature range	°C [°F]	-30 to +100 [-22 to +212]			
Weight <sup>1)</sup>	Size	<b>0040</b>	<b>0063</b>	<b>0100</b>	<b>0130</b>
	kg [lbs]	4.6 [10.14]	5.0 [11.02]	5.8 [12.78]	8.8 [19.40]
Weight <sup>1)</sup>	Size	<b>0150</b>	<b>0160</b>	<b>0250</b>	<b>0400</b>
	kg [lbs]	9.2 [20.28]	13.5 [29.76]	14.3 [31.52]	16.0 [35.26]
Material	Filter head	GGG			
	Filter bowl	Steel			
	Optical maintenance indicator	Brass			
	Electronic switching element	Plastic PA6			

**hydraulic**

Maximum operating pressure	bar [psi]	250 [3626]
Hydraulic fluid temperature range	°C [°F]	-10 to +100 [+14 to +212]
Fatigue strength according to ISO 10771	Load cycles	> 10 <sup>6</sup> at rated operating pressure
Cracking pressure of the bypass valve	bar [psi]	7 ± 0.5 [100 ± 7]
Type of pressure measurement of the maintenance indicator	Pressure differential	
Response pressure of the maintenance indicator	bar [psi]	5 ± 0.5 [72 ± 7]

**electrical** (electronic switching element)

Electrical connection	Round plug-in connection M12 x 1, 4-pin	
Contact load, direct voltage	A	Max. 1
Voltage range	E1SP-M12x1 V DC/AC	Max. 150
	E2SP V DC	10 to 30
Max. switching power with resistive load	20 VA; 20 W; (70 VA)	
Switching type	E1SP-M12x1	Changeover
	E2SP-M12x1	Normally open contact at 75 % of the response pressure, Normally closed contact at 100 % of the response pressure
	E2SPSU-M12x1	Normally open contact at 75 % of the response pressure, Normally closed contact at 100 % of the response pressure Signal interconnection at 30 °C [86 °F], Return switching at 20 °C [68 °F]
Display via LEDs in the electronic switching element E2SP...	Stand-by (LED green); 75 % switching point (LED yellow) 100 % switching point (LED red)	
Protection class according to EN 60529	IP 65	
For direct voltage above 24 V, spark extinguishing is to be provided for protecting the switching contacts.		
Weight	Electronic switching element: – with round plug-in connection M12 x 1 kg [lbs]	0.1 [0.22]

<sup>1)</sup> Weight including standard filter element and maintenance indicator



**Technical Data** (For applications outside these parameters, please consult us!)**Filter element**

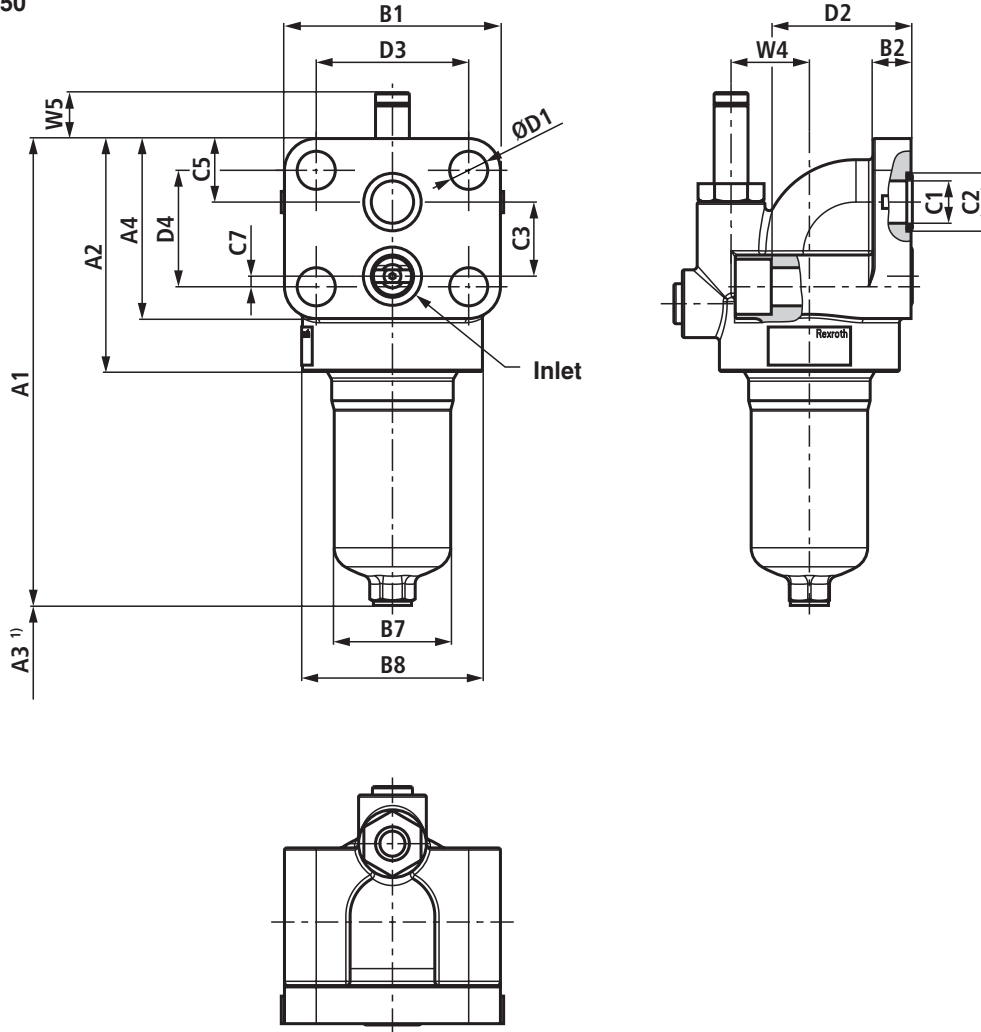
<b>Glass fiber paper PWR..</b>		Single-use element on the basis of inorganic fiber	
		Filtration ratio according to ISO 16889 up to $\Delta p = 5 \text{ bar [72.5 psi]}$	Achievable oil cleanliness according to ISO 4406 [SAE-AS 4059]
	PWR20	$\beta_{20}(c) \geq 200$	19/16/12 – 22/17/14
	PWR10	$\beta_{10}(c) \geq 200$	17/14/10 – 21/16/13
	PWR6	$\beta_6(c) \geq 200$	15/12/10 – 19/14/11
	PWR3	$\beta_5(c) \geq 200$	13/10/8 – 17/13/10
Permissible pressure differential	A	bar [psi]	30 [435]
	B	bar [psi]	330 [4786]

**Seal material for hydraulic fluids**

<b>Mineral oil</b>			Ordering code
Mineral oil	HLP	according to DIN 51524	M
<b>Flame-resistant hydraulic fluids</b>			Ordering code
Emulsions	HFA-E	according to DIN 24320	M
Synthetic water solutions	HFA-S	according to DIN 24320	M
Water solutions	HFC	according to VDMA 24317	M
Phosphoric acid esters	HFD-R	according to VDMA 24317	V
Organic esters	HFD-U	according to VDMA 24317	V
<b>Fast biodegradable hydraulic fluid</b>			Ordering code
Triglycerides (rape seed oil)	HETG	according to VDMA 24568	M
Synthetic esters	HEES	according to VDMA 24568	V
Polyglycols	HEPG	according to VDMA 24568	V

**Unit dimensions size 0040 to size 0150 (dimensions in mm [inch])**

Size 0040 to 0150



**Filter housing for filter elements in accordance with DIN 24550 and according to Hengst standard**

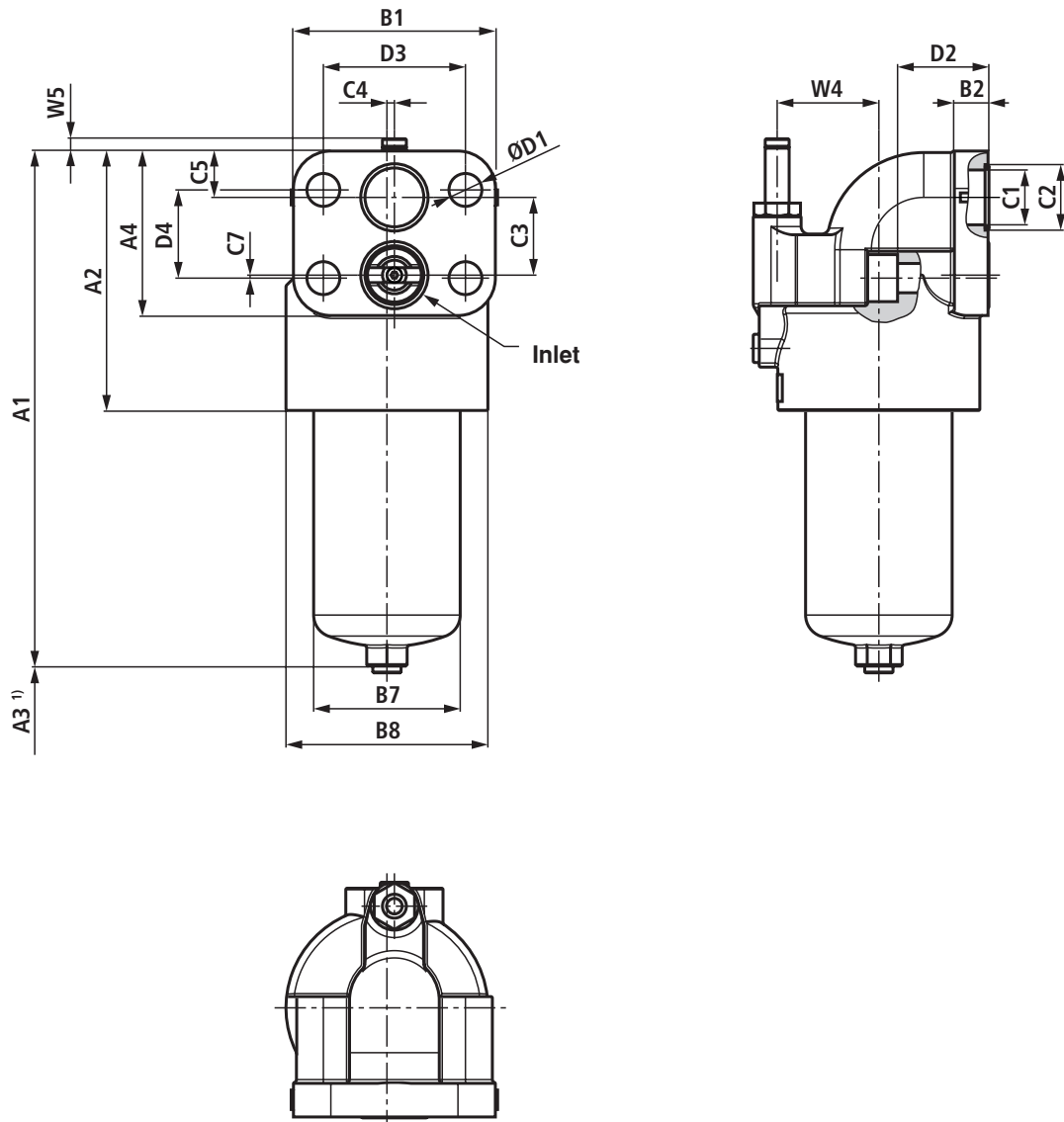
Type 245PSF(N)	Content in l [US gal]	A1	A2	A3 <sup>1)</sup>	A4	B1	B2	B7	B8
0040	0.25 [0.07]	216 [8.50]	110 [4.33]	120 [4.72]	85 [3.35]	102 [4.02]	18 [0.71]	Ø55 [2.17]	Ø85 [3.35]
0063	0.4 [0.11]	280 [11.02]						Ø57 [2.24]	
0100	0.6 [0.16]	370 [14.57]						Ø77 [3.03]	
0130	0.8 [0.21]	349 [13.74]	146 [5.75]	120 [4.72]	110 [4.33]	135 [5.31]	20 [0.79]	Ø77 [3.03]	Ø116 [4.57]
0150	0.98 [0.26]	399 [15.71]							

Type 245PSF(N)	C1	C2	C3	C5	C7	D1	D2	D3	D4	W4	W5
0040	Ø20 [0.79]	Ø27.5 [1.08]	35 [1.38]	30 [1.18]	5 [0.20]	18 [0.71]	66 [2.6]	72 [2.83]	55 [2.17]	37 [1.46]	22 [0.87]
0063											
0100											
0130	Ø32 [1.26]	Ø40 [1.57]	52 [2.05]	31 [1.22]	2 [0.08]	22 [0.87]	55 [2.17]	95 [3.74]	59 [2.32]	52.5 [2.07]	-
0150											

<sup>1)</sup> Servicing height for filter element replacement

**Unit dimensions size 0160 to size 0400 (dimensions in mm [inch])**

Size 0160 to 0400



**Filter housing for filter elements in accordance with DIN 24550 and according to Hengst standard**

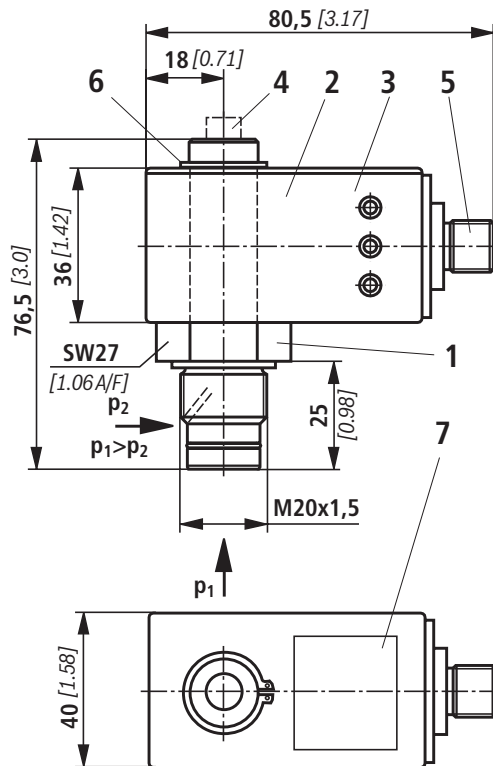
Type 245PSF(N)	Content in l [US gal]	A1	A2	A3 <sup>1)</sup>	A4	B1	B2	B7	B8
0160	1.5 [0.40]	345 [13.58]	174 [6.85]	120 [4.72]	110 [4.33]	135 [5.31]	23 [0.91]	Ø98 [3.86]	Ø135 [5.31]
0250	2.1 [0.55]	434.5 [17.11]							
0400	3.2 [0.85]	584.5 [23.01]							

Type 245PSF(N)	C1	C2	C3	C5	C7	D1	D2	D3	D4	W4	W5
0160	Ø38 [1.5]	Ø45 [1.77]	52 [2.05]	31 [1.22]	2 [0.08]	22 [0.87]	60.5 [2.38]	95 [3.74]	59 [2.32]	68 [2.68]	8 [0.31]
0250											
0400											

<sup>1)</sup> Servicing height for filter element replacement

## Maintenance indicator (dimensions in mm [inch])



- 1 Mechanical optical maintenance indicator; Max. tightening torque  $M_{A \max} = 50 \text{ Nm [36.88 lb-ft]}$
- 2 Switching element with locking ring for electrical maintenance indicator (can be rotated by  $360^\circ$ ); plug-in connection M12x1 or according to DIN EN 175201-804
- 3 Housing with three LEDs: 24 V =  
Green: Stand-by  
Yellow: Switching point 75 %  
Red: Switching point 100 %
- 4 Optical indicator bistable
- 5 Round connector M12x1, 4-pin
- 6 Locking ring
- 7 Nameplate

### Notes:

Presentation contains mechanical optical maintenance indicator (1) and electronic switching element (2).

Round plug-in connection M12x1 (5)

For connection e.g. to WE-1SP-M12x1 (see page 17).

Switching elements with increased switching power at request.

## Ordering code spare parts

### Mechanical optical maintenance indicator

01	02	03	04	05	06
W	O	-	D01	-	-

01	Maintenance indicator	W
02	Mechanical optical indicator	O

### Version

03	Pressure difference, modular design	D01
----	-------------------------------------	-----

### Switching pressure

04	2.2 bar [32 psi]	2,2
	5.0 bar [72.5 psi]	5,0
	8.0 bar [116 psi]	8,0

### Seal

05	NBR seal	M
	FKM seal	V

### Max. operating pressure

06	Switching pressure 2.2 bar [31.9 psi], 450 bar [6527 psi]	450
	Switching pressure 5.0 bar [72.5 psi], 450 bar [6527 psi]	450
	Switching pressure 8.0 bar [116 psi], 450 bar [6527 psi]	450

### Mechanical optical maintenance indicator

Material no.	Description
R928038783	WO-D01-2,2-M-450
R928038782	WO-D01-2,2-V-450
R901025313	WO-D01-5,0-M-450
R901066235	WO-D01-5,0-V-450
R928038785	WO-D01-8.0-M-450

### Seal kit

<b>D 245PSF</b>			
Seal kit			
Type 245PSF			
<b>Size</b>			
Size 0040-0100		= N0040-0100	
Size 0130-0150		= 0130-0150	
Size 0160-0400		= N0160-0400	

**M =** NBR seal

**V =** FKM seal

Material no.	Seal kit
R928028217	D245PSFN0040-0100-M
R928028216	D245PSF0130-0150-M
R928028215	D245PSFN0160-0400-M

## Installation, commissioning and maintenance

---

### Installation of the filter

Verify operating pressure with name plate information. Remove dust protection plugs from filter inlet and outlet, mount filter at the control block without tension stress considering flow direction (direction arrows) and servicing height of the filter element. The filter must preferably be installed with the filter bowl (2) downward. The maintenance indicator must be arranged in a well visible way.

### Connection of the electrical maintenance indicator

Basically, the filter is equipped with mechanical optical maintenance indicator (4). The electronic maintenance indicator is connected via the switching element (6) with 1 or 2 switching points, which is attached to the mechanical optical maintenance indicator and held by means of the locking ring.

### When must the filter element be exchanged or cleaned respectively?

Upon start-up in cold condition, the red pushbutton of the optical maintenance indicator (4) may jump out and an electrical signal is output via the switching element (6). Only push the red pushbutton in again after the operating temperature has been reached. If it jumps out again immediately or if the electrical signal has not gone out at operating temperature, the filter element must be exchanged or cleaned respectively after the end of the shift.

### Element exchange

- Switch off the system and discharge the filter on the pressure side.
- Screw off the filter bowl (2) by anticlockwise rotation. Clean the filter housing in a suitable medium.
- Remove the filter element (3) from the centering spigot in the filter head by turning it slightly
- Check the seal ring and the support ring in the filter bowl for position and damage. If necessary, these parts are to be renewed.
- Replace filter elements PWR..., clean the filter element G....
- The efficiency of the cleaning process depends on the characteristics of contamination and the amount of the pressure differential before the filter element exchange. If the differential pressure after the filter element exchange exceeds 50 % of the value before the filter element exchange, the G... element also needs to be replaced.
- Check whether the type designation or material number on the replacement element corresponds to the type designation/material number on the nameplate of the filter.
- Install replaced or cleaned filter element on the spigot again by slightly turning it.
- Now screw in the filter bowl or floor to stop. Then turn out the filter bowl by 1/8 to 1/2 turn so that the filter bowl is not stuck due to the pressure pulsation and can be easily loosened in case of maintenance works.

## Directives and standardization

### Product validation

Hengst filters, the filter elements built into them and filter accessories are tested and quality-monitored according to different ISO test standards:

Pressure pulse test	ISO 10771:2015-08
Filtration performance test (multipass test)	ISO 16889:2008-06
$\Delta p$ (pressure loss) characteristic curves	ISO 3968:2001-12
Compatibility with hydraulic fluid	ISO 2943:1998-11
Collapse pressure test	ISO 2941:2009-04

The development, manufacture and assembly of Hengst industrial filters and Hengst filter elements is carried out within the framework of a certified quality management system in accordance with ISO 9001:2015.

The pressure filters for hydraulic applications according to 51418 are pressure holding equipment according to article 1, section 2.1.4 of the pressure equipment directive 97/23/EC (PED). However, on the basis of the exception in article 1, section 3.6 of the PED hydraulic filters are exempt from the PED, if there are not classified higher than category I (guide-line 1/19). They do not receive a CE mark.

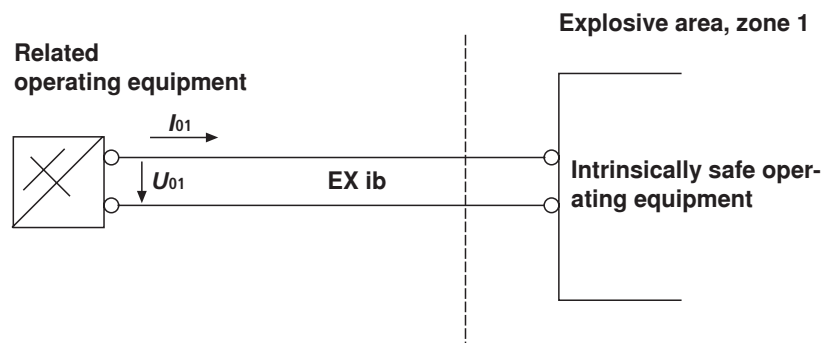
### Use in explosive areas according to directive 94/9/EC (ATEX)

The pressure filters according to 51418 are no equipment or components in the sense of directive 94/9/EC and are not provided with a CE mark.

When using the pressure filters according to 51418 in explosive areas, potential equalization has to be ensured.

According to DIN EN 50020, the electrical maintenance indicators are simple, electrical operating equipment not having own voltage sources. This simple, electrical operating equipment may - according to DIN EN 60079-14 - in intrinsically safe electrical circuits (EX ib) be used in systems for device group II, category 2G (zone 1) and category 3G (zone 2) without marking and certification. The operating equipment is assigned to explosion group II B and temperature class T5.

Possible circuit according to DIN EN 60079-14



**With electrical maintenance indicators with two switching points, switching units with two intrinsically safe input circles must be used.**

## Notes

---