

*PRODUCT BROCHURE*

**Cartridge Dust Collector  
DELBAG® EuroJet**

***Compact solution for dust and smoke***



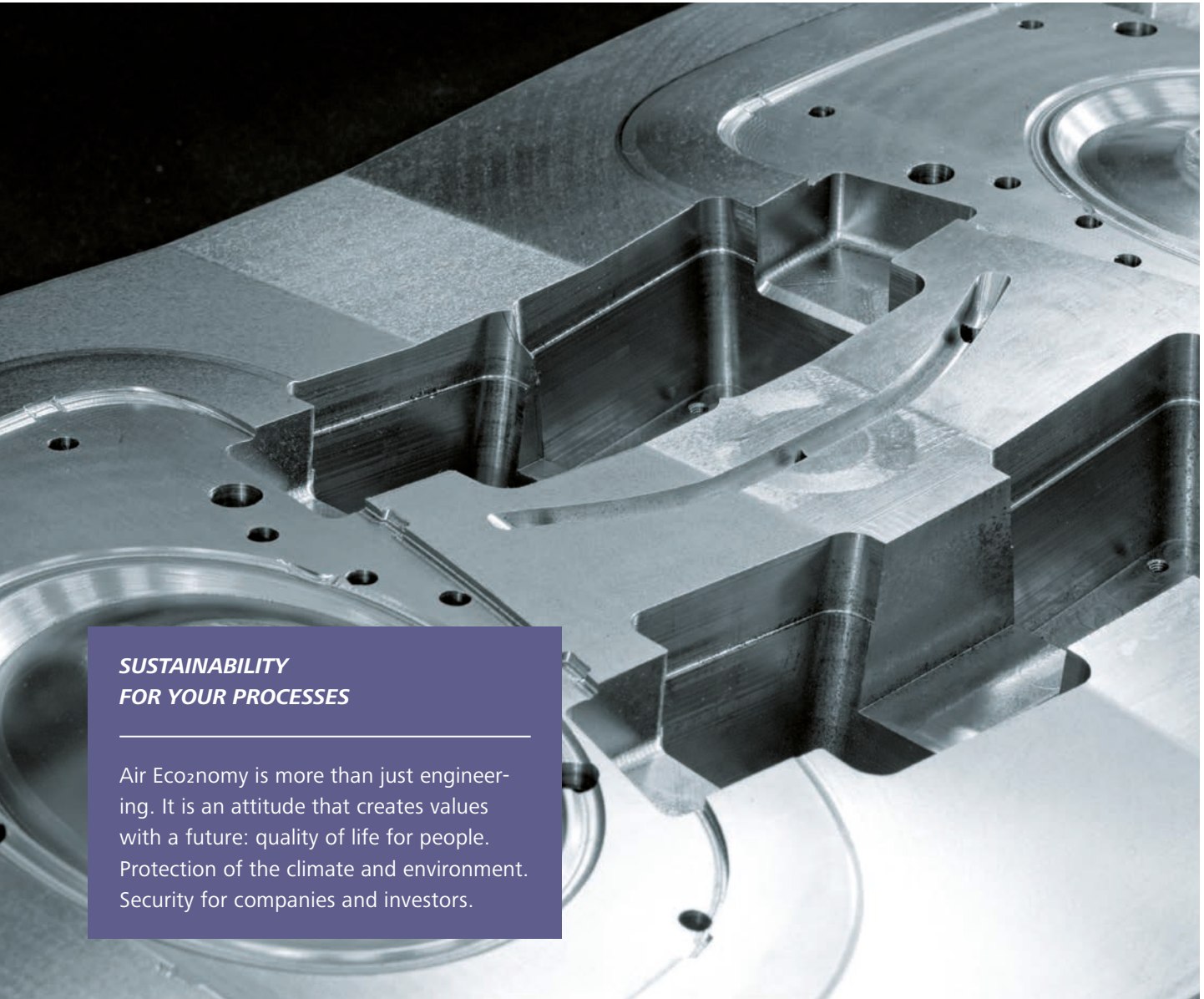


THE DELBAG® EuroJet CARTRIDGE DUST COLLECTOR

LETS YOU TAKE A DEEP BREATH

***And your air comes out clean***

---



**SUSTAINABILITY  
FOR YOUR PROCESSES**

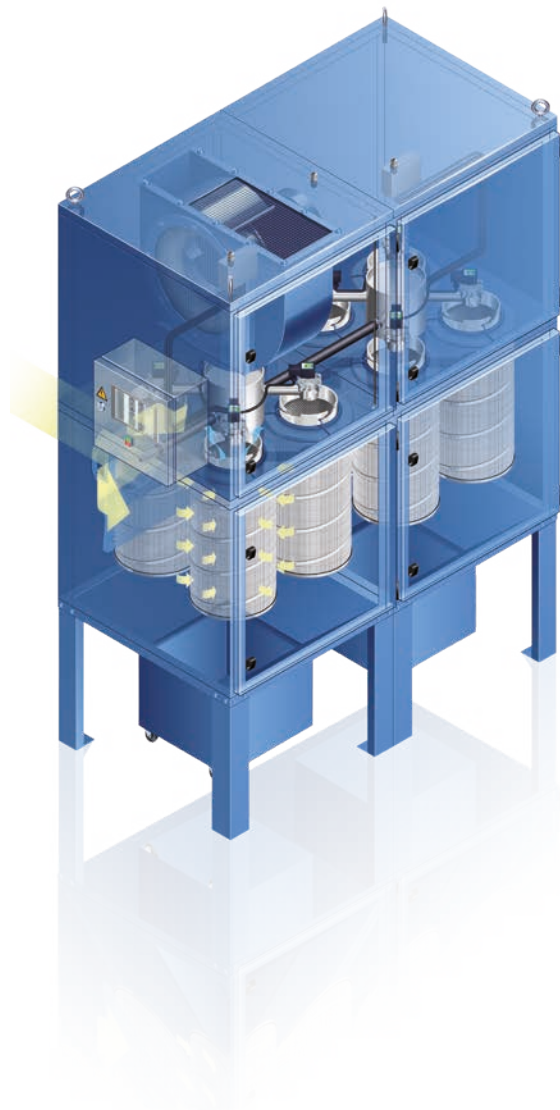
Air Eco2nomy is more than just engineering. It is an attitude that creates values with a future: quality of life for people. Protection of the climate and environment. Security for companies and investors.

Dust and smoke are produced by many industrial processes – including welding, grinding, and metal-casting. These emissions can endanger the health of workers and burden the environment. The EuroJet cartridge dust collector by DELBAG® Air Filtration enables you to quickly and reliably provide clean air.

DELBAG® Air Filtration stands for competence and experience from more than 100 years of market leadership in air-filter technology. Under the motto Air Eco2nomy, we offer you comprehensively oriented solutions that set economic and ecological standards. The EuroJet cartridge dust collector – now with essential improvements in many details – is a prime example of top-quality performance.

Designed in accordance with the latest insights of filter technology, this innovation is the optimal solution for almost all dust problems. EuroJet combines great efficiency and the simplest of handling in a compact system. Effective selection of the optimal version, and of the most suitable accessories, makes it possible to individually configure this cartridge dust collector for any application.

- Effective and reliable filtration and separation of dry dust and smoke, especially in the metalworking industries
- A selection of filter media customized for individual application
- Innovative filter-exchange technology with MultiPuls filter cartridges
- Panel equipment enclosure with integrated baffle plate
- Modular configuration
- Wide range of accessories
- Various control systems as options



## Optimal dust collection and highest operating convenience

---

- Integrated compressed-air tank in the upper section of the unit
- One 1-inch diaphragm valve per filter cartridge, which assures effective pulse-jet cleaning
- The latest in servo-technology for the solenoid valves
- Variable interval- and pulse-cleaning times
- A choice of powerful centrifugal fans
- Large doors – with direct access to all components
- Hidden door gasket that can be quickly exchanged



Principle of dust filtration

### Cartridge dust collector of compact class

The EuroJet cartridge dust collector is a surface filter with filter cartridges that contain filter media folded in star shape. The integrated pressure-pulse filter-cleaning system means that EuroJet cleans itself – resulting in highly reduced maintenance expense. Its compact structure contains all the required components and offers the ideal solution for a great number of dust-collection problems.

### Dust collection

Input air flows through the air intake on the rear side of the unit and strikes against a baffle plate. The coarsest, abrasive dust particles are separated by this process and fall into a dust bin. After this preliminary cleaning step, the air then goes through the filter cartridges, uniformly from the outside toward the inside. In this process, the dust is captured on the surface of the filter cartridges. The air, from which dust pollutants have been removed, then carried by a fan into the room, or passes through a duct toward the outside – depending on the application and the model selected.

### Pulse-jet cleaning

The cartridges are cleaned by a blast of compressed air that goes through the filters from the inside to the outside. This process blasts off the dust cake that has collected during filtration, which then falls into the dust bin. The logic circuitry of the filter-cleaning process will depend on the control system. In the simplest case, pulse-jet filter cleaning will take place at permanently installed time intervals. It is more cost-effective, however, to select a processor-controlled system based on the pressure drop of the filter cartridges. In this solution, a certain pressure-drop limit is set according to the process being served – and the control system triggers the pulse-jet cleaning when this limit is exceeded. This type of control enables a constant air flow and reduces the consumption of compressed air.

## MultiPuls *FILTER CARTRIDGE*

# ***This innovative filter-exchange technology reduces your volume of refuse***

---

The key element of the EuroJet cartridge dust collector is the MultiPuls filter-exchange system. The central benefit of this innovation is – unlike conventional filter technology – that the entire filter cartridge with all its metal parts does not have to be disposed. Only the filter bellows must be exchanged. This means not only significantly less refuse volume: but also single-type refuse that can be completely incinerated. Thanks to the specially designed bottom part of filter-exchange casing the cartridges can be mounted fast without damaging the filter bellows.

For further reduction of the system pressure loss, the exchangeable cartridges are designed such that there is no need for an outside basket. Special stamping of the filter material, plus optimized fold geometry, ensure that the folds cannot collapse and lie together. This additionally allows uniform air flow and good pulse-jet cleaning, with low pressure drop at the same time. Filter categories L and M (formerly BIA categories S, G, and C) are possible. Standard filter media that can be used with MultiPuls include cellulose, melt-blown fabrics, and polyester in various versions. Anti-static versions are also available.

The FireTex® execution provides an additional flame-retardant equipment (DIN 4102-1 B1) for safe operation even with flammable dusts.

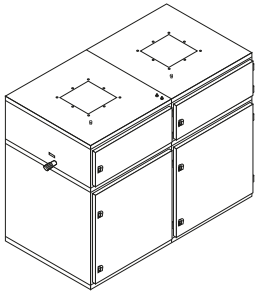
### Accessories (on request)

- Intake and outlet connection fittings
- exhaust silencer
- Various control units
- Cellular wheel sluices
- Sound-absorbed clean-air chamber



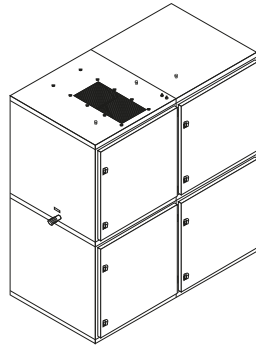
Filter-exchange technology MultiPuls

## Technical Specifications



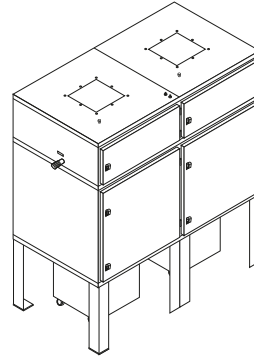
### Model A

as silo top for pipe connection



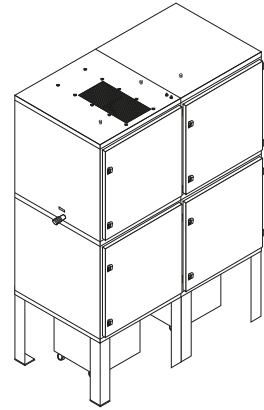
### Model AV

as silo top with fan



### Model C

with dust bin for pipe connection



### Model CV

with fan and dust bin

Sizes		EJC 2	EJC 4	EJC 8	EJC 12	EJC16	EJC 20	EJC 24
<b>Design version</b>		<b>A/AV/C/CV</b>						
Max. air flow	m <sup>3</sup> /h	2,000	4,000	8,000	12,000	16,000	20,000	24,000
Filter surface area								
19 m <sup>2</sup> Cartridge	m <sup>2</sup>	38	76	152	228	304	380	456
14 m <sup>2</sup> Cartridge	m <sup>2</sup>	28	56	112	168	224	280	336
12 m <sup>2</sup> Cartridge	m <sup>2</sup>	24	48	96	144	192	240	288
10 m <sup>2</sup> Cartridge	m <sup>2</sup>	20	40	80	120	160	200	240

Dimensions		EJC 2	EJC 4	EJC 8	EJC 12	EJC16	EJC 20	EJC 24
<b>Design version</b>		<b>A/AV/C/CV</b>						
Width	mm	850	850	1,700	2,550	3,400	4,250	5,100
Height A	mm	1,320	1,320	1,320	1,320	1,320	1,320	1,320
Height AV	mm	1,820	1,820	1,820	1,820	1,820	1,820	1,820
Height C	mm	1,925	1,925	1,925	1,925	1,925	1,925	1,925
Height CV	mm	2,425	2,425	2,425	2,425	2,425	2,425	2,425
Depth	mm	900	900	900	900	900	900	900
Entry of dust-laden air 300x300mm		1x	1x	2x	3x	4x	5x	6x

Weights		EJC 2	EJC 4	EJC 8	EJC 12	EJC16	EJC 20	EJC 24
<b>Design version</b>		<b>A/AV/C/CV</b>						
Model A	kg	195	205	375	545	715	885	1,055
Model AV	kg	272	307	529	797	1,008	1,263	1,487
Model C	kg	235	245	455	665	875	1,085	1,295
Model CV	kg	312	347	609	917	1,168	1,463	1,727

Sizes		EJC 2	EJC 4	EJC 8	EJC 12	EJC16	EJC 20	EJC 24
<b>Design version</b>		<b>AV/CV</b>						
Fan		21	21	41	61	81	122	122
Fan		–	41	61	81	122	162	162
Fan		–	–	81	122	162	183	183
Fan		–	–	–	–	183	243	243

Fan data		21	41	61	81	122	162	183	243
Volume flow	m <sup>3</sup> /h	2,000	4,000	6,000	8,000	12,000	16,000	18,000	24,000
Total pressure	Pa	2,440	2,460	2,530	2,480	2,530	2,480	2,530	2,480
Motor capacity	kW	2.2	4.0	5.5	7.5	2x5.5	2x7.5	3x5.5	3x7.5
Voltage	V, 50 Hz	230/400	400/690	400/690	400/690	400/690	400/690	400/690	400/690
Sound pressure level <sup>1</sup>	db (A)	83	84	87	90	89	92	91	94
with exhaust silencer	db (A)	< 75	< 75	< 75	< 75	–	–	–	–
Depth of silencer (T)	mm	510	535	615	615	–	–	–	–
Width of silencer (B)	mm	470	615	583	645	–	–	–	–
Height of silencer (H)	mm	1,000	1,000	1,000	1,000	–	–	–	–

<sup>1</sup> At a distance of 1 m



***DELBAG® Air Filtration is a dynamic globally active company  
within air treatment - filter technology - air quality.***

**Our local consultant and service teams gladly take their time to develop ideas and solutions together with our clients – creatively and professionally.**

